

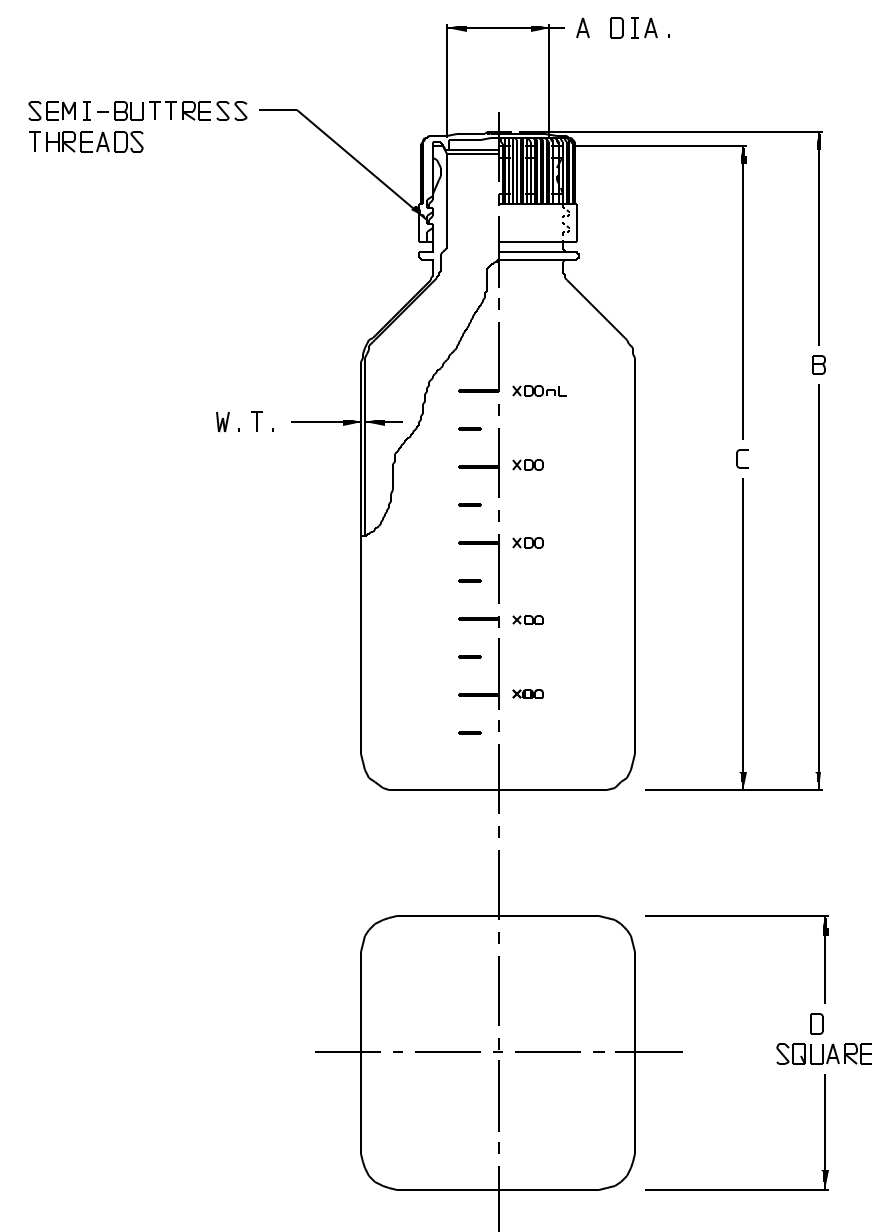
CATALOG NO.	NOMINAL CAPACITY, (oz)								MATERIALS	
									BOTTLE	CLOSURE
322020	1	2	4	8	16	16	32	64	PETG	HDPE
322021	1	2	4	-	-	-	-	-	AMBER PETG	AMBER HDPE

SIZE CODE.....	-0030	-0060	-0125	-0250				
SIZE (NOM VOL mL/oz)	30/1	60/2	125/4	250/8				
NOM. BRIM CAP. (mL):	45	77	175	320				
NECK FINISH (mm)....	20-415	24-415	38-430	38-430				
THREAD (T.P.I.).....	8	8	6	6				
NOM. WEIGHT W/CLOSURE (gms).....	14.5	22	52.5	65				
	INCHES	MM	INCHES	MM	INCHES	MM	INCHES	MM
A (BTLE. NECK I.D.):	0.54±.02	13.7±.5	0.70±.02	17.8±.5	1.100±.025	27.94±.64	1.100±.025	27.94±.64
B (HT. W/CLOSURE)....	2.50±.05	63.5±1.3	3.25±.06	82.6±1.5	4.26±.08	108.2±2.0	5.70±.08	144.8±2.0
C (HT. W/O CLOSURE):	2.39±.05	60.7±1.3	3.15±.06	80.0±1.5	4.08±.08	103.6±2.0	5.50±.08	139.7±2.0
D (SQUARE).....	1.50±.05	38.1±1.3	1.58±.05	40.1±1.3	2.06±.06	52.3±1.5	2.32±.06	58.9±1.5
MIN. WALL @ BTM COR.:	0.006	0.15	0.006	0.15	0.008	0.20	.009	0.23
MIN. WALL ELSEWHERE.:	0.008	0.20	0.010	0.25	0.012	0.30	0.016	0.41
MIN. WALL @ HANDLE COR:	-	-	-	-	-	-	-	-

SIZE CODE.....	-0500	-9500	-1000	-2000				
SIZE (NOM VOL mL/oz)	500/16	500/16	1000/32	2000/64				
NOM. BRIM CAP. (mL):	610	658	1225	2380				
NECK FINISH (mm)....	38-430	38-430	38-430	53B				
THREAD (T.P.I.).....	6	6	6	4				
NOM. WEIGHT W/CLOSURE (gms).....	116	116	187	350				
	INCHES	MM	INCHES	MM	INCHES	MM	INCHES	MM
A (BTLE. NECK I.D.):	1.100±.025	27.94±.64	1.100±.025	27.94±.64	1.100±.025	27.94±.64	1.53±.03	38.9±.8
B (HT. W/CLOSURE)....	7.00±.09	177.8±2.3	7.00±.09	177.8±2.3	8.63±.10	219.2±2.5	10.65±.14	270.5±3.6
C (HT. W/O CLOSURE):	6.82±.09	173.2±2.3	6.82±.09	173.2±2.3	8.48±.10	215.49±2.5	10.42±.14	264.7±3.6
D (SQUARE).....	2.88±.06	73.2±1.5	3.00±.06	76.2±1.5	3.63±.07	92.2±1.8	4.55±.09	115.6±2.3
MIN. WALL @ BTM COR.:	0.014	0.36	0.014	0.36	0.014	0.36	0.020	0.51
MIN. WALL ELSEWHERE.:	0.020	0.51	0.017	0.43	0.020	0.51	0.020	0.51
MIN. WALL @ HANDLE COR:	-	-	-	-	-	-	0.008	0.20

NOTES:

1. ALL DIMENSIONS ARE NOMINAL AND IN INCHES AND MILLIMETERS UNLESS OTHERWISE NOTED.
2. THIS IS NOT A PRODUCTION DRAWING, BUT IS FOR INFORMATIONAL PURPOSES ONLY, AND IS SUBJECT TO CHANGE WITHOUT NOTICE.



SPECS ON BACK

NOT TO SCALE

CONFIDENTIAL

THIS PRODUCT SPECIFICATION SHEET CONTAINS CONFIDENTIAL AND/OR PROPRIETARY INFORMATION AND IS TO BE USED ONLY FOR THE EXPRESSED PURPOSES AGREED UPON BY AN AUTHORIZED OFFICER OF THERMO FISHER SCIENTIFIC.

**ThermoFisher**  
**SCIENTIFIC**

Thermo Fisher Scientific  
75 Panorama Creek Drive  
Rochester, NY 14625-2385, USA

MADE	TL	APP'D	GRP	PSS 32-202X-XXXX-1	REV.
CK'D	DM 10/22/09		10/23/09		1009

PETG SQUARE MEDIA BOTTLES