

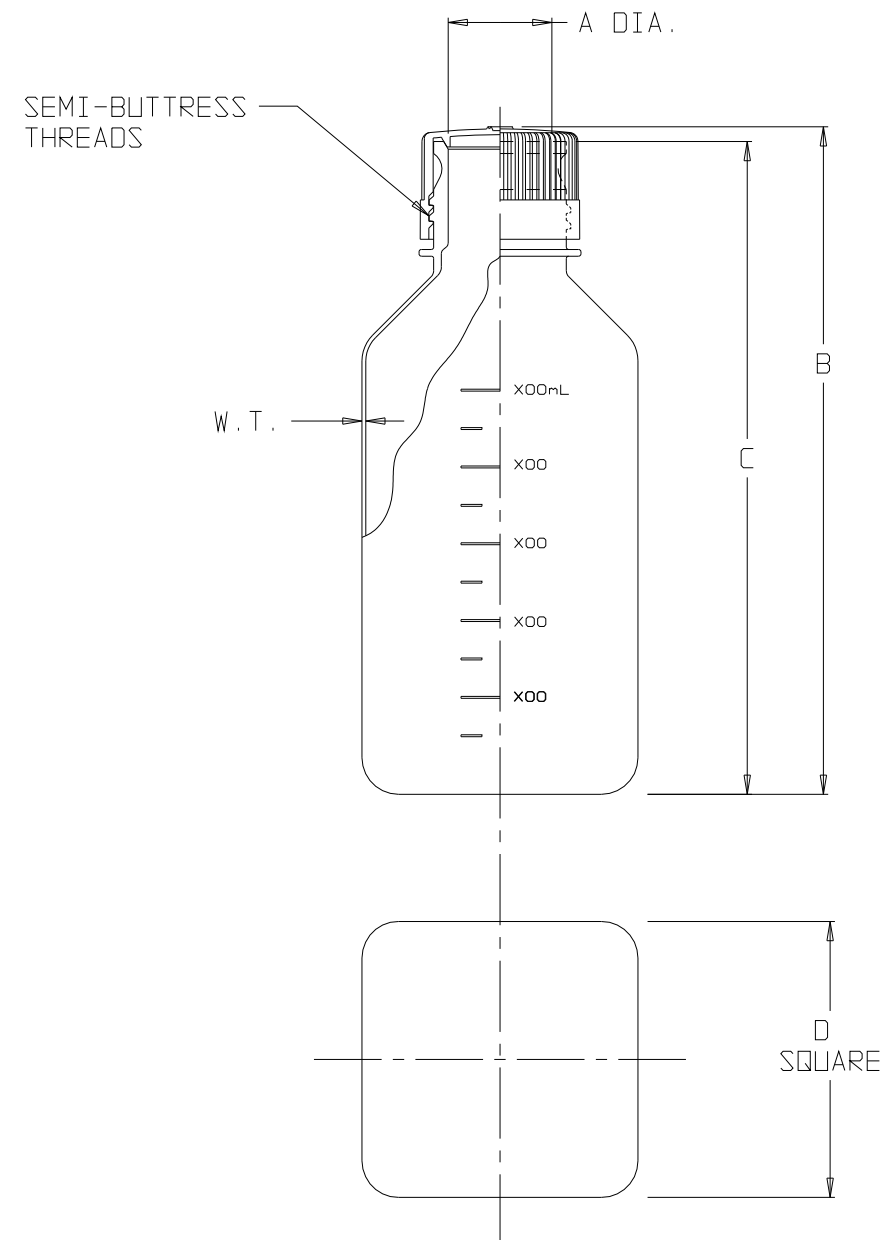
CATALOG NO.	NOMINAL CAPACITY, (oz)								MATERIALS	
									BOTTLE	CLOSURE
342020	1	2	4	8	16	16	32	64	PETG	HDPE

SIZE CODE.....	-0030	-0060	-0125	-0250				
SIZE (NOM VOL mL/oz)	30/1	60/2	125/4	250/8				
NOM. BRIM CAP. (mL):	45	77	175	320				
NECK FINISH (mm)....	20-415	24-415	38-430	38-430				
THREAD (T.P.I.).....	8	8	6	6				
NOM. WEIGHT W/CLOSURE (gms).....	14.5	22	52.5	65				
	INCHES	MM	INCHES	MM	INCHES	MM	INCHES	MM
A (BTLE. NECK I.D.):	0.54±.02	13.7±.5	0.70±.02	17.8±.5	1.100±.025	27.94±.64	1.100±.025	27.94±.64
B (HT. W/CLOSURE)...	2.50±.05	63.5±1.3	3.25±.06	82.6±1.5	4.26±.08	108.2±2.0	5.70±.08	144.8±2.0
C (HT. W/O CLOSURE):	2.39±.05	60.7±1.3	3.15±.06	80.0±1.5	4.08±.08	103.6±2.0	5.50±.08	139.7±2.0
D (SQUARE).....	1.50±.05	38.1±1.3	1.58±.05	40.1±1.3	2.06±.06	52.3±1.5	2.32±.06	58.9±1.5
MIN. WALL @ BTM COR.:	0.006	0.15	0.006	0.15	0.008	0.20	0.009	0.23
MIN. WALL ELSEWHERE.:	0.008	0.20	0.010	0.25	0.012	0.30	0.016	0.41
MIN. WALL @ HANDLE COR:	-	-	-	-	-	-	-	-

SIZE CODE.....	-0500	-9500	-1000	-2000				
SIZE (NOM VOL mL/oz)	500/16	500/16	1000/32	2000/64				
NOM. BRIM CAP. (mL):	610	658	1225	2380				
NECK FINISH (mm)....	38-430	38-430	38-430	53B				
THREAD (T.P.I.).....	6	6	6	4				
NOM. WEIGHT W/CLOSURE (gms).....	116	116	187	350				
	INCHES	MM	INCHES	MM	INCHES	MM	INCHES	MM
A (BTLE. NECK I.D.):	1.100±.025	27.94±.64	1.100±.025	27.94±.64	1.100±.025	27.94±.64	1.53±.03	38.9±.8
B (HT. W/CLOSURE)...	7.00±.09	177.8±2.3	7.00±.09	177.8±2.3	8.63±.10	219.2±2.5	10.65±.14	270.5±3.6
C (HT. W/O CLOSURE):	6.82±.09	173.2±2.3	6.82±.09	173.2±2.3	8.48±.10	215.4±2.5	10.42±.14	264.7±3.6
D (SQUARE).....	2.88±.06	73.2±1.5	3.00±.06	76.2±1.5	3.63±.07	92.2±1.8	4.55±.09	115.6±2.3
MIN. WALL @ BTM COR.:	0.011	0.28	0.011	0.28	0.011	0.28	0.020	0.51
MIN. WALL ELSEWHERE.:	0.017	0.43	0.017	0.43	0.017	0.43	0.020	0.51
MIN. WALL @ HANDLE COR:	-	-	-	-	-	-	0.008	0.20

NOTES:

1. ALL DIMENSIONS ARE NOMINAL AND IN INCHES AND MILLIMETERS UNLESS OTHERWISE NOTED.
2. THIS IS NOT A PRODUCTION DRAWING, BUT IS FOR INFORMATIONAL PURPOSES ONLY, AND IS SUBJECT TO CHANGE WITHOUT NOTICE.



SPECS ON BACK

NOT TO SCALE

CONFIDENTIAL

THIS PRODUCT SPECIFICATION SHEET CONTAINS CONFIDENTIAL AND/OR PROPRIETARY INFORMATION AND IS TO BE USED ONLY FOR THE EXPRESSED PURPOSES AGREED UPON BY AN AUTHORIZED OFFICER OF THERMO FISHER SCIENTIFIC.

ThermoFisher
SCIENTIFIC

Thermo Fisher Scientific
75 Panorama Creek Drive
Rochester, NY 14625-2385, USA

MADE	PB	APP'D	GRP	PSS 34-2020-XXXX-1	REV.
CK'D	KOW		7/13/12		0712

DESCRIPTION:
PETG SQUARE MEDIA BOTTLES, STERILE