

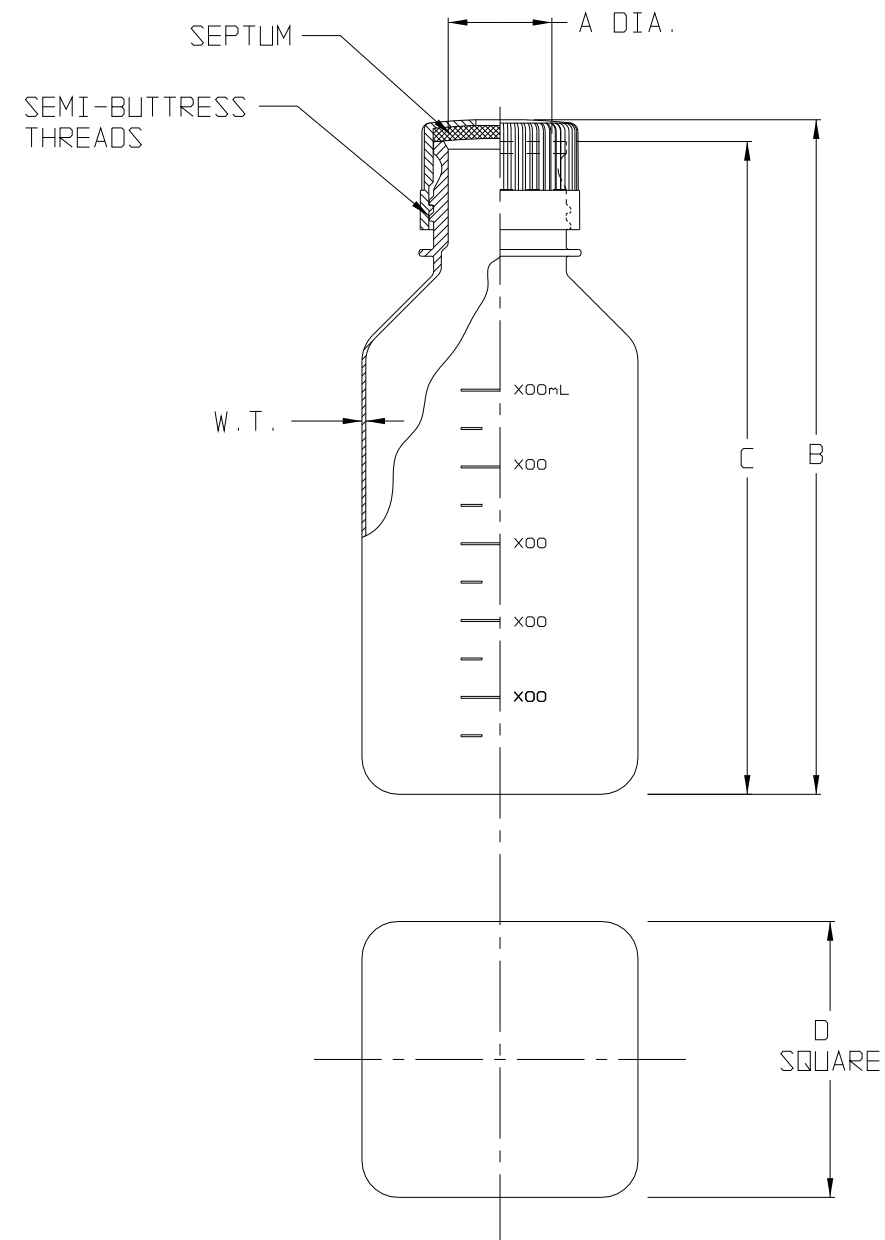
CATALOG NO.	NOMINAL CAPACITY, (oz)					MATERIALS		
						BOTTLE	CLOSURE	SEPTUM
342023	2	4	16	16	32	PETG	HDPE	SILICONE/PTFE

SIZE CODE.....	-0060	-0125	-0500	-9500				
SIZE (NOM VOL mL/oz)	60/2	125/4	500/16	500/16				
NOM. BRIM CAP. (mL):	77	175	610	658				
NECK FINISH (mm)....	24-415	38-430	38-430	38-430				
THREAD (T.P.I.).....	8	6	6	6				
NOM. WEIGHT W/CLOSURE (gms).....	22	52.5	116	116				
	INCHES	MM	INCHES	MM	INCHES	MM	INCHES	MM
A (BTLE. NECK I.D.):	0.70±.02	17.8±.5	1.100±.025	27.94±.64	1.100±.025	27.94±.64	1.100±.025	27.94±.64
B (HT. W/CLOSURE)...	3.25±.06	82.6±1.5	4.33±.08	110.0±2.0	7.07±.09	179.6±2.3	7.07±.09	179.6±2.3
C (HT. W/O CLOSURE):	3.15±.06	80.0±1.5	4.08±.08	103.6±2.0	6.82±.09	173.2±2.3	6.82±.09	173.2±2.3
D (SQUARE).....	1.58±.05	40.1±1.3	2.06±.06	52.3±1.5	2.88±.06	73.2±1.5	3.00±.06	76.2±1.5
MIN. WALL @ BTM COR.:	0.006	0.15	0.008	0.20	0.011	0.28	0.011	0.28
MIN. WALL ELSEWHERE.:	0.010	0.25	0.012	0.30	0.017	0.43	0.017	0.43

SIZE CODE.....	-1000	
SIZE (NOM VOL mL/oz)	1000/32	
NOM. BRIM CAP. (mL):	1225	
NECK FINISH (mm)....	38-430	
THREAD (T.P.I.).....	6	
NOM. WEIGHT W/CLOSURE (gms).....	190	
	INCHES	MM
A (BTLE. NECK I.D.):	1.100±.025	27.94±.64
B (HT. W/CLOSURE)...	8.69±.10	220.7±2.5
C (HT. W/O CLOSURE):	8.48±.10	215.4±2.5
D (SQUARE).....	3.63±.07	92.2±1.8
MIN. WALL @ BTM COR.:	0.011	0.28
MIN. WALL ELSEWHERE.:	0.017	0.43

NOTES:

1. ALL DIMENSIONS ARE NOMINAL AND IN INCHES AND MILLIMETERS UNLESS OTHERWISE NOTED.
2. THIS IS NOT A PRODUCTION DRAWING, BUT IS FOR INFORMATIONAL PURPOSES ONLY, AND IS SUBJECT TO CHANGE WITHOUT NOTICE.



SPECS ON BACK

NOT TO SCALE

CONFIDENTIAL

THIS PRODUCT SPECIFICATION SHEET CONTAINS CONFIDENTIAL AND/OR PROPRIETARY INFORMATION AND IS TO BE USED ONLY FOR THE EXPRESSED PURPOSES AGREED UPON BY AN AUTHORIZED OFFICER OF THERMO FISHER SCIENTIFIC.

ThermoFisher
SCIENTIFIC

Thermo Fisher Scientific
75 Panorama Creek Drive
Rochester, NY 14625-2385, USA

MADE	PB	APP'D	GRP	PSS 34-2023-XXXX	REV.
CK'D	KOW		7/13/12		0712
DESCRIPTION: PETG SQUARE MEDIA BOTTLES WITH SEPTUM CLOSURE, STERILE					