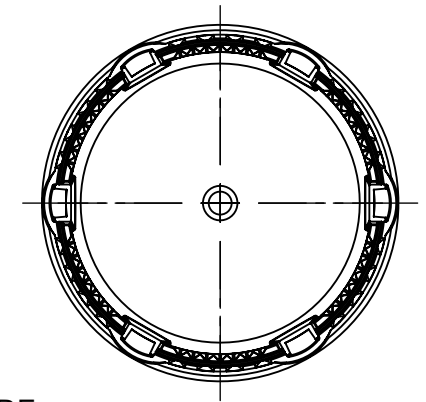
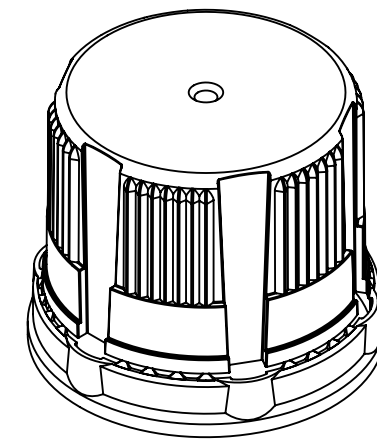
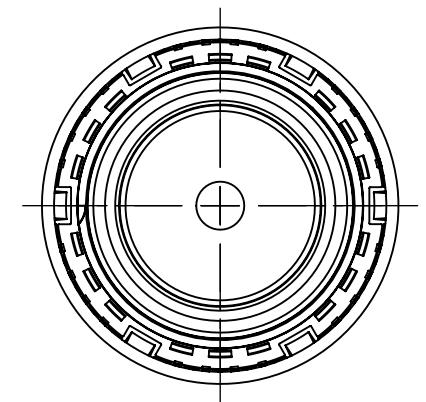
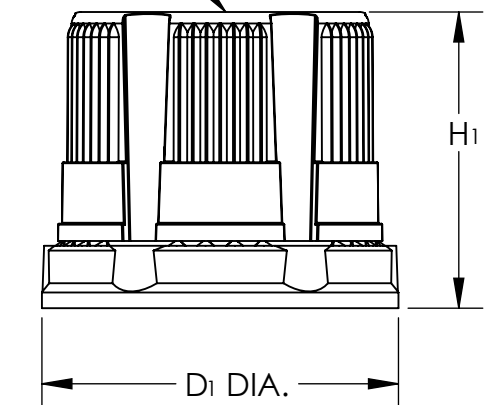
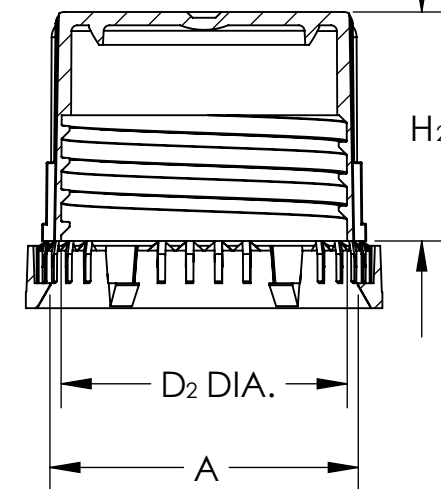


CATALOG NUMBER.....:	342141-0384	
DESCRIPTION.....:	CLOSURE WITH SEALING RING	
MATERIAL	HDPE	
NOM.WEIGHT (gms).....:	10.3	
CLOSURE SIZE(mm).....:	38-430	
THREAD (T.P.I.).....:	6	
	INCH	MM
D ₁ DIA (TE RING O.D.).....:	1.84 ±0.03	46.7 ±0.8
H ₁ (HEIGHT W/TE RING).....:	1.52 ±0.04	38.6 ±1.0
D ₂ DIA (CLOSURE I.D.).....:	1.48 ±0.03	37.6 ±0.8
H ₂ (HEIGHT W/O TE RING).....:	1.18 ±0.04	30.0 ±1.0
A DIA (ACROSS TE TABS).....:	1.60 ±0.01	40.6 ±0.3

1. ALL DIMENSIONS ARE NOMINAL AND IN INCHES AND MILLIMETERS UNLESS OTHERWISE NOTED.
2. THIS IS NOT A PRODUCTION DRAWING, BUT IS FOR INFORMATIONAL PURPOSES ONLY, AND IS SUBJECT TO CHANGE WITHOUT NOTICE.



38-430 TAMPER EVIDENT CLOSURE



SPECS ON BACK

NOT TO SCALE

CONFIDENTIAL

THIS PRODUCT SPECIFICATION SHEET CONTAINS CONFIDENTIAL AND/OR PROPRIETARY INFORMATION AND IS TO BE USED ONLY FOR THE EXPRESSED PURPOSES AGREED UPON BY AN AUTHORIZED OFFICER OF THERMO FISHER SCIENTIFIC.

ThermoFisher
SCIENTIFIC

Thermo Fisher Scientific
75 Panorama Creek Drive
Rochester, NY 14625-2385, USA

MADE	PB	APP'D	GRP	PSS 342141-0384	REV.	0212
CK'D	KOW	2/10/12				

TAMPER-EVIDENT CLOSURE