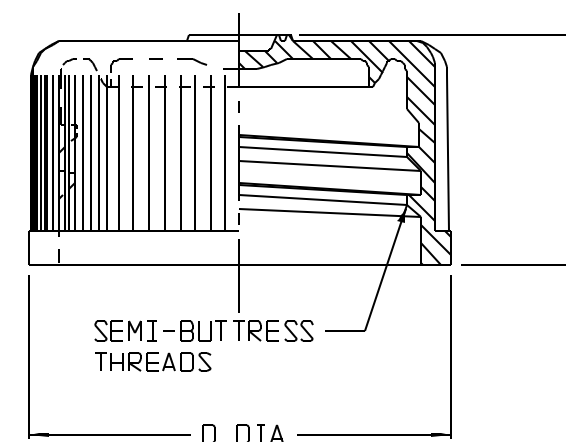


CATALOG NO.	NOMINAL SIZE (mm)			MATERIAL
342151	20	24	38-430	HDPE

SIZE CODE.....:	-0200		-0240		-0384	
THREAD FINISH (mm):	20-415		24-415		38-430	
THREAD (T.P.I.):	8		8		6	
NOM. WEIGHT (gms):	2		2.5		10	
	INCHES	MM	INCHES	MM	INCHES	MM
D (DIA).....:	0.96 ±0.02	24.4 ±0.5	1.12 ±0.03	28.4 ±0.8	1.66 ±0.03	42.2 ±0.8
H (HEIGHT).....:	0.60 ±0.03	15.2 ±0.8	0.60 ±0.03	15.2±0.8	1.17 ±0.03	29.7 ±0.8



NOT TO SCALE

SPECS ON BACK

NOT TO SCALE

NOTES:

1. ALL DIMENSIONS ARE NOMINAL AND IN INCHES AND MILLIMETERS UNLESS OTHERWISE NOTED.
2. THIS IS NOT A PRODUCTION DRAWING, BUT IS FOR INFORMATIONAL PURPOSES ONLY, AND IS SUBJECT TO CHANGE WITHOUT NOTICE.

CONFIDENTIAL

THIS PRODUCT SPECIFICATION SHEET CONTAINS CONFIDENTIAL AND/OR PROPRIETARY INFORMATION AND IS TO BE USED ONLY FOR THE EXPRESSED PURPOSES AGREED UPON BY AN AUTHORIZED OFFICER OF THERMO FISHER SCIENTIFIC.

ThermoFisher
SCIENTIFIC

Thermo Fisher Scientific
75 Panorama Creek Drive
Rochester, NY 14625-2385, USA

MADE	PB	APP'D	PVC	PSS 34-2151-OXXX	REV. 1202
CK'D	PVC		12/18/02		
DESCRIPTION: SCREW CLOSURES					