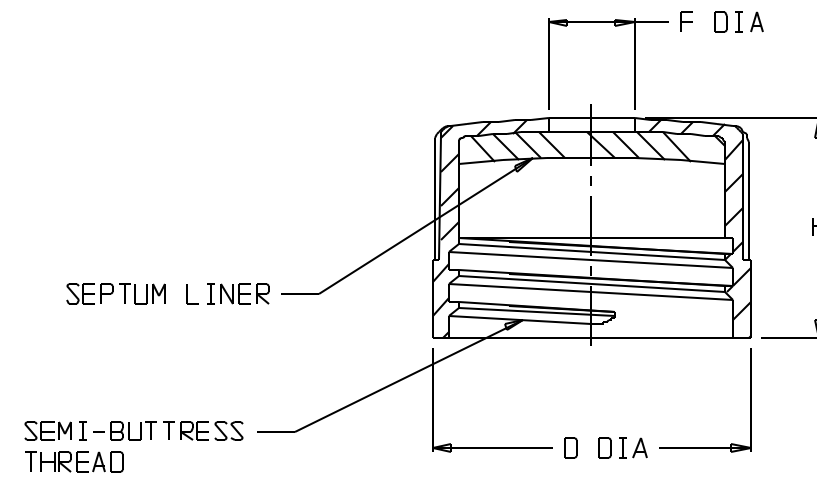


CATALOG NO.	NOMINAL SIZE (mm)	MATERIAL	
		CLOSURE	SEPTUM
342178	38-430	HDPE	SILICONE/PTFE

SIZE CODE.....:	-0384	
THREAD FINISH (mm)....:	38-430	
THREAD (T.P.I.).....:	6	
NOM. WEIGHT (gms)....:	13	
	INCH	MM
D (DIA).....:	1.65 ±0.03	41.9 ±0.8
H (HEIGHT).....:	1.14 ±0.03	29.0 ±0.8
F (DIA).....:	0.50 ±0.03	12.7 ±0.8



SPECS ON BACK

NOT TO SCALE

NOTES:

1. ALL DIMENSIONS ARE NOMINAL AND IN INCHES AND MILLIMETERS UNLESS OTHERWISE NOTED.
2. THIS IS NOT A PRODUCTION DRAWING, BUT IS FOR INFORMATIONAL PURPOSES ONLY, AND IS SUBJECT TO CHANGE WITHOUT NOTICE.

CONFIDENTIAL

THIS PRODUCT SPECIFICATION SHEET CONTAINS CONFIDENTIAL AND/OR PROPRIETARY INFORMATION AND IS TO BE USED ONLY FOR THE EXPRESSED PURPOSES AGREED UPON BY AN AUTHORIZED OFFICER OF THERMO FISHER SCIENTIFIC.

ThermoFisher
SCIENTIFIC

Thermo Fisher Scientific
75 Panorama Creek Drive
Rochester, NY 14625-2385, USA

MADE	MC ²	APP'D	PVC	PSS 34-2178-0384	REV.	1103
CK'D	PVC		11/6/03			
DESCRIPTION: 38-430 SEPTUM CLOSURE						