

Ion PI™ Hi-Q™ OT2 200 Kit

Catalog Number A26434

Pub. No. MAN0010858 Rev. B.0

Note: For safety and biohazard guidelines, see the “Safety” appendix in the *Ion PI™ Hi-Q™ OT2 200 Kit User Guide* (Pub. No. MAN0010857). Read the Safety Data Sheets (SDSs) and follow the handling instructions. Wear appropriate protective eyewear, clothing, and gloves.

- Run the Ion OneTouch™ 2 Instrument 1
- Set up the Ion OneTouch™ 2 Instrument 1
- Start the run 3
- Recover the template-positive ISPs 3
- Wash the template-positive ISPs 3
- Clean the Ion OneTouch™ 2 Instrument 4
- Enrich the template-positive ISPs with the Ion OneTouch™ ES Instrument 4
- Limited product warranty 7

Run the Ion OneTouch™ 2 Instrument

IMPORTANT! Ensure that the latest firmware is installed. To update the firmware to the current version, see the *Ion OneTouch™ 2 System User Guide* (Pub. No. MAN0014388).

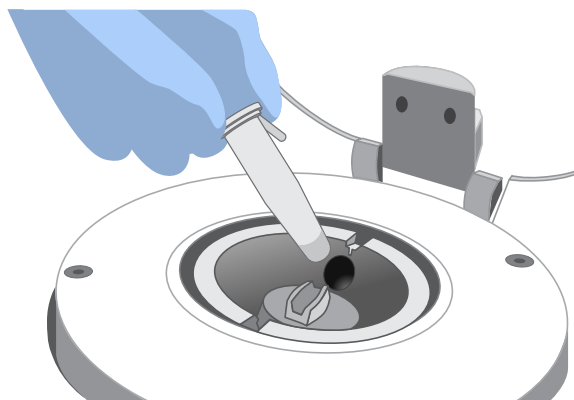
1. Close the centrifuge lid, then touch **Run** on the home screen.
2. Touch the dropdown menu, then select **Proton: Ion PI™ Hi-Q™ OT2 200 Kit**, then touch **Next**.
3. Touch **Assisted**, then complete the setup tasks listed onscreen, or touch **Expert**, then set up the instrument according to the following instructions.

Set up the Ion OneTouch™ 2 Instrument

IMPORTANT! Ensure that the latest firmware is installed (touch **Options**, then touch **Info** on the instrument display). To update the firmware to the current version, see the *Ion OneTouch™ 2 System User Guide* (Pub. No. MAN0014388).

Install the Ion OneTouch™ Recovery Tubes and Ion OneTouch™ Recovery Router

1. Dispense 150 µL Ion OneTouch™ Breaking Solution into each of two Ion OneTouch™ Recovery Tubes.
2. Insert the Recovery Tubes containing Ion OneTouch™ Breaking Solution into the two centrifuge positions.



3. Install the Ion OneTouch™ Recovery Router into the center slot of the centrifuge.
4. Close the centrifuge lid.

Install the Ion OneTouch™ Amplification Plate

Remove the used Cleaning Adapter, insert the plate, and pull the handle to close the heat block. Thread the disposable tubing through the catch and pinch valve.

CAUTION! Hot Surface. Use care when working around this area to avoid being burned by hot components.

WARNING! Safety Hazard. Do not use the instrument with flammable or explosive materials. Use only the materials specified for use with the instrument to ensure safety.



CAUTION! PHYSICAL INJURY HAZARD. The pointed end of the disposable injector can puncture your skin. Keep your hand away from the point of the disposable injector.

Install the disposable injector

Insert the disposable injector, then confirm automatic placement of the disposable injector above the router by briefly pressing then releasing the spring-loaded top of the Injector Hub.

You should hear a click.

Install the Reagent Tubes

1. Install the Ion OneTouch™ Oil on the left front port . Invert the Ion OneTouch™ Oil bottle (450-mL size) 3 times, then fill the Reagent Tube half-full with Oil. Install the Reagent Tube. Minimize bubbles.
2. Install the Ion OneTouch™ Recovery Solution on the right front port . Invert the bottle of Recovery Solution 3 times, then fill the Reagent Tube one third-full with Recovery Solution. Install the Reagent Tube. Minimize bubbles.

Empty the waste container

Appropriately dispose of waste.

Prepare the amplification solution

IMPORTANT! Use *only* the Ion PI™ Hi-Q™ OT2 200 Kit with this user guide and with the Ion OneTouch™ 2 System.

1. Prepare the reagents as follows:

Reagents	Preparation
Ion PI™ Master Mix	<ol style="list-style-type: none">1. Allow the tube of Master Mix (2 mL) to come to room temperature before use.2. Vortex the solution for 30 seconds, then centrifuge the solution for 2 seconds. Note: Visually inspect the solution at the bottom of the tube and verify that there is no residual precipitate. If precipitate is visible, refer to "Troubleshooting" in the <i>Ion PI™ Hi-Q™ OT2 200 Kit User Guide</i>.3. Keep the tube of Master Mix at room temperature during use. Store thawed Master Mix at 2°C to 8°C.
Ion PI™ Enzyme Mix	<ol style="list-style-type: none">1. Centrifuge the enzyme for 2 seconds.2. Place on ice.
Ion PI™ Ion Sphere™ Particles	Place the suspension at room temperature.

2. Dilute 6-8 µL of your 100 pM library with Nuclease-free Water in a 1.5-mL Eppendorf LoBind™ Tube to give a total volume of 100 µL. Vortex the diluted library for 5 seconds, centrifuge for 2 seconds, then place the diluted library on ice.
3. Vortex the Ion PI™ Ion Sphere™ Particles (ISPs) at maximum speed for 1 minute, centrifuge for 2 seconds, pipet the ISPs up and down to mix; then *immediately* proceed to the next step.

4. To the tube containing 2 mL of Master Mix at 15°C to 30°C, add the following components in the designated order. Add each component, then pipet the amplification solution up and down to mix:

Order	Reagent	Cap color	Volume
1	Nuclease-free Water	—	80 µL
2	Ion PI™ Enzyme Mix	Brown	120 µL
3	Ion PI™ ISPs	Black	100 µL
4	Diluted library (<i>not</i> stock library)	—	100 µL
—	Total volume (including Master Mix)	—	2400 µL

5. Vortex the solution prepared in step 4 at maximum speed for 5 seconds, then centrifuge the solution for 2 seconds.

IMPORTANT! Start the run on the Ion OneTouch™ 2 Instrument ≤15 minutes after preparing the amplification solution.

6. Proceed *immediately* to "Fill and install the Ion OneTouch™ Reaction Filter on the Ion OneTouch™ 2 Instrument".

Fill and install the Ion OneTouch™ Reaction Filter on the Ion OneTouch™ 2 Instrument

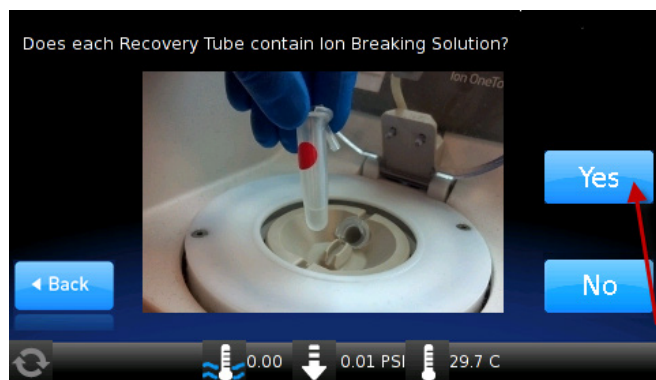
IMPORTANT! We recommend filling the Ion OneTouch™ Reaction Filter in a room dedicated to pre-PCR activities or in a controlled pre-PCR hood. Do *not* use a reaction filter assembly from any other template preparation kit.

1. Vortex the amplification solution at maximum speed for a *full 5 seconds*, then centrifuge the solution for 2 seconds. *Immediately* proceed to the next step.
2. Pipet the amplification solution up and down to mix, then pipet 800 µL of the amplification solution through the sample port.
3. Repeat step 2 two more times (for a total of 3 times) to load the entire amplification solution volume into the Ion OneTouch™ Reaction Filter.
4. Pipet 200 µL of Ion OneTouch™ Reaction Oil through the sample port.
5. Invert then install the filled Ion OneTouch™ Reaction Filter into the three holes on the top stage of the Ion OneTouch™ 2 Instrument.

Start the run

1. After installing the Ion OneTouch™ Reaction Filter, touch **Next** to start the run.

IMPORTANT! Remember to add 150 µL of Ion OneTouch™ Breaking Solution to each Recovery Tube before starting the run. On the reminder screen, confirm and touch **Yes** to advance:




Note: To cancel a run, touch **Abort**, then touch **Yes**.

2. Remove the samples ≤16 hours after starting the run. If you touched **Next** on the centrifuge screen to centrifuge samples at the end of the run, proceed *immediately* to "Recover the template-positive ISPs".

Recover the template-positive ISPs

1. At the end of the run, follow the screen prompts to centrifuge the sample. If you removed the Reaction Tubes at the end of the run before the Ion OneTouch™ 2 Instrument had spun the sample or have not processed the sample after 15 minutes, centrifuge the sample on the instrument: On the home screen, touch **Options**, touch **Final Spin**, then follow any screen prompts to centrifuge the sample.

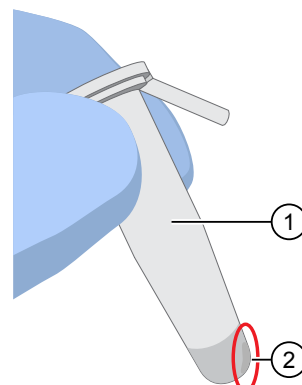
 **CAUTION!** ROTATION HAZARD. Wait until rotation stops before opening. Rotating parts can cause injury.

2. Discard the Recovery Router, then carefully remove the Ion OneTouch™ Recovery Tubes and put them in a tube rack.

IMPORTANT! Do not store the recovered, template-positive Ion PI™ Ion Sphere™ Particles at -30°C to -10°C. Proceed immediately to "Wash the template-positive ISPs". There is a stopping point in the next section.

Wash the template-positive ISPs

1. Use a pipette to remove all but ~100 µL of Ion OneTouch™ Recovery Solution from each Ion OneTouch™ Recovery Tube. Withdraw the supernatant from the surface and on the opposite side from the pellet. Do not disturb the pellet of template-positive ISPs:



- ① Ion OneTouch™ Recovery Tube
- ② Location of ISP pellet

2. Resuspend the template-positive ISPs in the remaining Recovery Solution in each tube by pipetting the suspension up and down.
3. Combine the suspension from each Recovery Tube into a new labeled 1.5-mL Eppendorf LoBind™ Tube.
4. Add 100 µL of Nuclease-free Water to each Recovery Tube, pipet up and down to mix, then transfer the residual beads into the labeled 1.5-mL tube.
5. Bring the combined suspensions in the labeled 1.5-mL tube to 1 mL with Nuclease-free Water.

STOPPING POINT The ISPs can be stored at 2°C to 8°C for up to 3 days. If you stored the template-positive ISPs at 2°C to 8°C, proceed to step 8. Do not store the recovered ISPs in Ion OneTouch™ Recovery Solution.

6. Vortex for 30 seconds to completely resuspend the template-positive ISPs, then centrifuge the tube for 2 seconds.
7. (Optional) Assess the quality of the unenriched, template-positive ISPs using the Guava™ easyCyte™ 5 Flow Cytometer. Transfer a 2.0-µL aliquot of the diluted, unenriched ISPs (from step 6) to a 1.5-mL Eppendorf LoBind™ Tube. See the *Ion PI™ Ion Sphere™ Particles (ISPs) Quality Assessment Using the Guava™ easyCyte™ 5 Flow Cytometer User Bulletin* (Pub. No. MAN0007496).
8. Centrifuge the template-positive ISP suspension for 8 minutes at 15,500 × g.
9. Remove all but 20 µL of supernatant.
10. Bring the combined washed suspensions in the new labeled tube to 100 µL in ISP Resuspension Solution.
11. Vortex the pellet for 30 seconds to completely resuspend the template-positive ISPs, then centrifuge the tube for 2 seconds.

12. (Optional) If you have not used the Guava™ easyCyte™ 5 Flow Cytometer to perform quality control on the ISPs, you can retain a sample at this point to evaluate quality of the resuspended, unenriched template-positive ISPs (step 11) using the Qubit™ 2.0 Fluorometer or Qubit™ 3.0 Fluorometer. Transfer a 2.0-µL aliquot of the resuspended, unenriched ISPs to a 0.2-mL PCR tube, then see the

- *Ion Sphere™ Assay on the Qubit™ 2.0 Fluorometer User Guide* (Pub. No. MAN0016387), or
- *Ion Sphere™ Assay on the Qubit™ 3.0 Fluorometer User Guide* (Pub. No. MAN0016388),

available at thermofisher.com/order/catalog/product/4468656, for further details.

Enrich the template-positive ISPs with the Ion OneTouch™ ES". You may start the enrichment procedure while the Ion OneTouch™ 2 Instrument cleaning is in progress.

IMPORTANT! Do not store the recovered, template-positive ISPs at -30°C to -10°C. Do not store the recovered ISPs in Ion OneTouch™ Recovery Solution.

Clean the Ion OneTouch™ 2 Instrument

IMPORTANT! To ensure continued safe operation, visually inspect the rotor assembly and casing periodically to ensure that there are no signs of cracks or other physical damage. Follow the cleaning procedure in this section to clean the Ion OneTouch™ 2 Instrument with the Ion OneTouch™ Cleaning Adapter. *Perform the cleaning procedure after every run.*

1. Determine the appropriate reagents to use for maintaining the Ion OneTouch™ 2 Instrument:

If you are	Action
Switching to the Ion PI™ Hi-Q™ OT2 200 Kit from another kit?	See Chapter 5 of the <i>Ion OneTouch™ 2 System User Guide</i> (Pub. No. MAN0014388). Use the reagents from the appropriate kit to maintain the Ion OneTouch™ 2 Instrument.
Already using the Ion PI™ Hi-Q™ OT2 200 Kit.	Proceed to step 2. Continue to use the reagents that are provided in the Ion PI™ Hi-Q™ OT2 200 Kit.

2. Check the level of Ion OneTouch™ Oil in the Reagent Tube. If the Reagent Tube has <20 mL of Oil, pour Oil into the Reagent Tube until it is half-full.
3. Remove and appropriately discard the used Ion OneTouch™ Reaction Filter. Remove the assembly from the instrument by grasping the *filter*.
4. Firmly insert the 3 ports of a new *single-use* Cleaning Adapter into the three holes on the top stage of the Ion OneTouch™ 2 Instrument.
5. Place a 50-mL conical tube in a tube rack, then place the tube rack next to the instrument.

Note: Steps 6–9 are only necessary if you have not already removed the disposable injector before removing the Recovery Tubes from the instrument.

6. Gently pull the disposable tubing downwards on both sides of the pinch valve until the disposable tubing is out of the valve.
7. Remove the disposable injector from the Ion OneTouch™ DL Injector Hub.



CAUTION! PHYSICAL INJURY HAZARD. The pointed end of the disposable injector can puncture your skin. Keep your hand away from the point of the disposable injector.

8. Place the used, disposable injector into the empty 50-mL conical tube in the tube rack. The conical tube is used to collect waste.
9. On the home screen of the instrument, touch **Clean**.
10. Complete each task that is displayed on the screen, then touch **Next**. After you touch **Next** on the last task, a progress bar appears, and the cleaning starts.
11. At the end of the cleaning run, the screen displays "**Time Remaining 00:00:00, Cleaning Run Complete**". Press **Next**, then ensure that the task in bold displays: "**Remove plate, injector, conical tube, and waste**".
Note: Keep the used Cleaning Adapter on the instrument between runs.
12. Appropriately discard the waste that was collected in the 50-mL conical tube.
13. Remove and appropriately discard the used Amplification Plate, disposable injector, and tubing.



CAUTION! Hot Surface. Use care when working near this area to avoid injury from contact with hot components.

14. On the instrument display, touch **Open Lid**, wait until the lid clicks open, then open the centrifuge lid. Wipe the residue from the centrifuge lid with dry Kimwipes™ disposable wipers, then close the centrifuge lid.
15. Touch **Next** to return to the home screen on the instrument.

Enrich the template-positive ISPs with the Ion OneTouch™ ES Instrument

Determine if a residual volume test is necessary

If the condition is	Then
First use of the instrument and during monthly maintenance	Perform a residual volume test. Refer to "Ion OneTouch™ ES Instrument installation, setup, and maintenance" in the <i>Ion OneTouch™ 2 System User Guide</i> (Pub. No. MAN0014388).
Routine use and residual volume in Well 1 and Well 8 is >5.0 µL	
Routine use and residual volume in Well 1 and Well 8 is ≤5.0 µL	Proceed to "Prepare reagents then fill the 8-well strip".

Prepare reagents then fill the 8-well strip

Prepare Melt-Off Solution

Prepare fresh Melt-Off Solution by combining the components in the following order:

Order	Component	Volume
1	Tween™ Solution	280 µL
2	1 M NaOH	40 µL
—	Total	320 µL

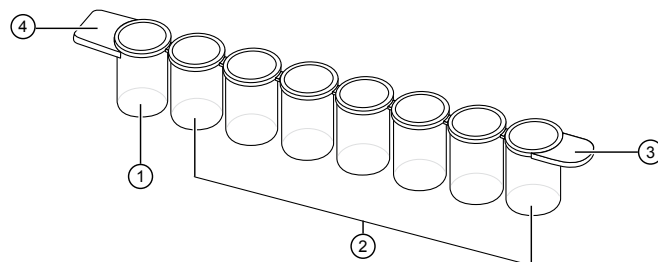
IMPORTANT! Prepare Melt-Off Solution as needed, but appropriately dispose of the solution after 1 day.

Wash and resuspend the Dynabeads™ MyOne™ Streptavidin C1 Beads

- Vortex the tube containing the Dynabeads™ MyOne™ Streptavidin C1 Beads for 30 seconds to thoroughly resuspend the beads, then *immediately* proceed to the next step.
- Transfer 100 µL of Dynabeads™ MyOne™ Streptavidin C1 Beads to a new 1.5-mL Eppendorf LoBind™ Tube.
- Place the tube on a magnet such as a DynaMag™-2 magnet for 2 minutes, then remove and discard the supernatant without disturbing the pellet of Dynabeads™ MyOne™ Streptavidin C1 Beads.
- Add 1 mL of Ion OneTouch™ Wash Solution to the aliquot of Dynabeads™ MyOne™ Streptavidin C1 Beads.
- Remove the tube from the magnet, vortex the tube for 30 seconds, and centrifuge the tube for 2 seconds.
- Place the tube on a magnet such as a DynaMag™-2 magnet for 2 minutes, then remove and discard the supernatant.
- Add 130 µL of MyOne™ Beads Capture Solution to the Dynabeads™ MyOne™ Streptavidin C1 Beads.
Note: You add the resuspended Dynabeads™ MyOne™ Streptavidin C1 Beads in the 130 µL MyOne™ Beads Capture Solution to Well 2 of the 8-well strip.
- Remove the tube from the magnet, vortex the tube for 30 seconds, and centrifuge the tube for 2 seconds.

Fill the 8-well strip

- Ensure that the template-positive ISPs from the Ion OneTouch™ 2 Instrument are in 100 µL of ISP Resuspension Solution. If the template-positive ISPs were stored at 2°C to 8°C, follow the washing procedure for ISPs (see “Wash the template-positive ISPs” on page 3).
- Ensure that the square-shaped tab of the 8-well strip is on the left:



- Well 1
- Wells 2–8
- Rounded tab
- Square-shaped tab

- Pipet the ISPs up and down 10 times to mix, then transfer the entire volume (100 µL) of resuspended ISPs in ISP Resuspension Solution (step 1 of this procedure) into Well 1 of the 8-well strip.
- Fill the remaining wells in the 8-well strip as follows:

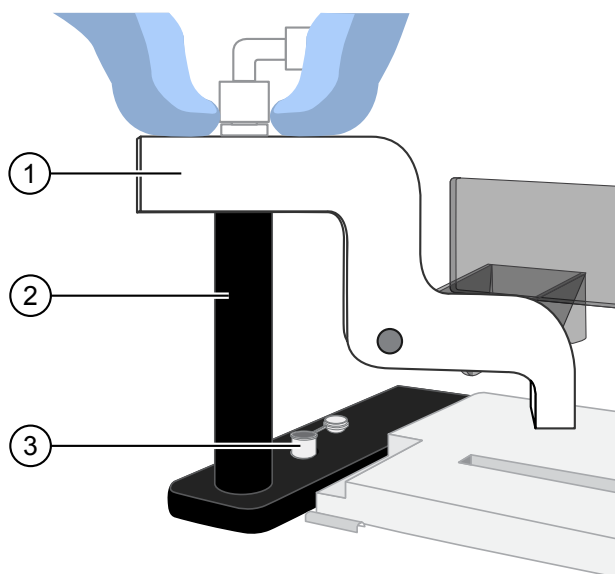
Well number	Reagent to dispense in well
Well 1 ^[1]	Entire template-positive ISP sample (100 µL; prepared in step 1 of this procedure)
Well 2	130 µL of Dynabeads™ MyOne™ Streptavidin C1 Beads resuspended in MyOne™ Beads Capture Solution (prepared in “Wash and resuspend the Dynabeads™ MyOne™ Streptavidin C1 Beads” on page 5)
Well 3	300 µL of Ion OneTouch™ ES Wash Solution
Well 4	300 µL of Ion OneTouch™ ES Wash Solution
Well 5	300 µL of Ion OneTouch™ ES Wash Solution
Well 6	Empty
Well 7	300 µL of freshly-prepared Melt-Off Solution [prepared in “Prepare Melt-Off Solution” on page 5]
Well 8	Empty

^[1] Well closest to the square-shaped tab

- Confirm that the square-shaped tab is on the left, then insert the filled 8-well strip with the 8-well strip pushed all the way to the right end of the slot of the Ion OneTouch™ ES Instrument tray.

Prepare the Ion OneTouch™ ES Instrument

1. Insert a new opened 0.2-mL PCR tube into the hole at the base of the Tip Loader, as shown in the figure in step 3.
2. Place a new tip in the Tip Loader.
3. Install a new tip by pressing the Tip Arm down onto the tip in the Tip Loader.



- ① Tip Arm
- ② Tip Loader
- ③ 0.2-mL PCR collection tube

4. Lift the Tip Arm straight up to pull the installed tip from the Tip Loader tube.
5. Return the Tip Arm to the cradle.

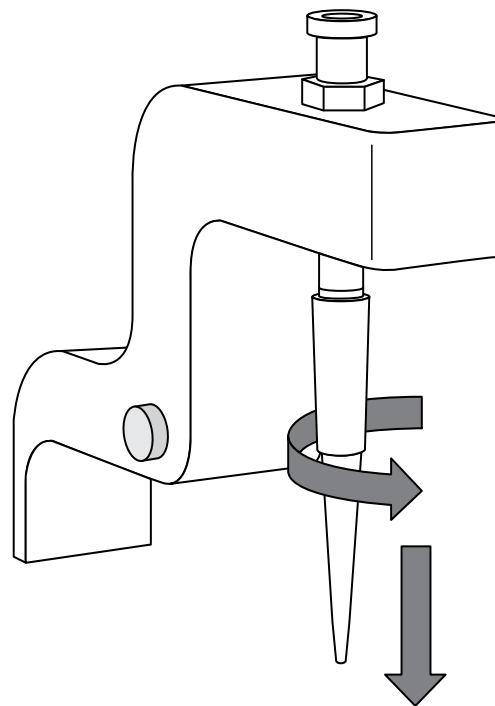
IMPORTANT! Ensure that the back/bottom end of the Tip Arm is not resting on top of the thumb screw, causing the Tip Arm to tilt forward.

Perform the run

Before starting the run:

- Confirm that a new tip and open 0.2-mL PCR tube have been loaded in the Ion OneTouch™ ES Instrument, and that the 8-well strip is correctly loaded.
- Ensure that Well 1 (ISP sample) is the left-most well and the 8-well strip is pushed to the right-most position in the slot.

1. Pipet the contents of Well 2 up and down to resuspend the beads before starting the run. Do not introduce bubbles into the solution.
2. If needed, power on the Ion OneTouch™ ES Instrument, then wait for the instrument to initialize. The screen displays "rdy". The Tip Arm performs a series of initialization movements and returns to the home position (~5 seconds).
3. Press **Start/Stop**. The screen displays "run" during the run. The run takes ~35 minutes.
4. At the end of the run, the instrument displays "End" and beeps every 60 seconds. Press the **Start/Stop** button to silence this alarm, then reset the Ion OneTouch™ ES Instrument for the next run. The instrument can be left on between runs.
5. Immediately after the run, securely close, then remove the PCR tube containing the enriched ISPs.
Note: Ensure that the 0.2-mL PCR tube has >200 µL of solution containing the enriched ISPs. After a successful run on the instrument, the sample is in ~220 µL of Melt-Off Solution and Ion OneTouch™ Wash Solution. If the tube has <<200 µL of solution containing the enriched ISPs, contact Technical Support.
6. Remove the used tip: with the Tip Arm in its cradle, twist the tip counterclockwise (as viewed from above), then pull it downward to remove and discard the tip.



IMPORTANT! Improper removal of tips can loosen the metal tip adapter fitting on the Tip Arm and affect instrument operation.

7. Remove, then discard the used 8-well strip.

Proceed immediately to "Remove and wash the enriched ISPs".

Remove and wash the enriched ISPs

1. Centrifuge the 0.2-mL PCR tube containing the enriched ISPs at $15,500 \times g$ for 5 minutes.
2. Remove all but ~10 μL of supernatant without disturbing the pellet, then add 200 μL of Nuclease-free Water.
3. Pipet the solution up and down 10 times to resuspend the pellet. The pellet can be difficult to see.
4. Centrifuge the 0.2-mL PCR tube at $15,500 \times g$ for 5 minutes.
5. Check for Dynabeads™ MyOne™ Streptavidin C1 Beads (a brown-tinted pellet) at the bottom of the centrifuged tube.

Are Dynabeads™ MyOne™ Streptavidin C1 Beads present?	Action
No	<ol style="list-style-type: none">1. Remove all but ~10 μL of supernatant without disturbing the pellet.2. Add sufficient Nuclease-free Water for a final volume of 100 μL.3. Pipet up and down 10 times to resuspend the pellet.4. Sequence or store the enriched ISPs at 2°C to 8°C for up to 3 days.
Yes	<ol style="list-style-type: none">1. Pipet up and down 10 times to resuspend the pellet.2. Place the 0.2-mL PCR tube against a magnet such as a DynaMag™-2 magnet for 4 minutes.3. Transfer the supernatant to a new 0.2-mL PCR tube without disturbing the pellet of Dynabeads™ MyOne™ Streptavidin C1 Magnetic Beads.4. Centrifuge the supernatant at $15,500 \times g$ for 5 minutes.5. Remove all but ~10 μL of supernatant without disturbing the pellet.6. Add sufficient Nuclease-free Water for a final volume of 100 μL.7. Pipet up and down 10 times to resuspend the pellet.8. Sequence or store the enriched ISPs at 2°C to 8°C for up to 3 days.

(Optional) Perform enriched ISP quality control

You can determine the appropriate library dilution and/or the enrichment efficiency by using the Guava™ easyCyte™ 5 Flow Cytometer. Transfer a 2.0- μL aliquot of the enriched ISPs to a 1.5-mL Eppendorf LoBind™ Tube. For more information, see the *Ion PI™ Ion Sphere™ Particles Quality Assessment Using the Guava™ easyCyte™ 5 Flow Cytometer User Bulletin* (Pub. No. MAN0007496), available at thermofisher.com.

Limited product warranty

Life Technologies Corporation and/or its affiliate(s) warrant their products as set forth in the Life Technologies' General Terms and Conditions of Sale found on Life Technologies' website at www.thermofisher.com/us/en/home/global/terms-and-conditions.html. If you have any questions, please contact Life Technologies at www.thermofisher.com/support.

The information in this guide is subject to change without notice.

DISCLAIMER: TO THE EXTENT ALLOWED BY LAW, LIFE TECHNOLOGIES AND/OR ITS AFFILIATE(S) WILL NOT BE LIABLE FOR SPECIAL, INCIDENTAL, INDIRECT, PUNITIVE, MULTIPLE, OR CONSEQUENTIAL DAMAGES IN CONNECTION WITH OR ARISING FROM THIS DOCUMENT, INCLUDING YOUR USE OF IT.

Revision history: MAN0010858

Revision	Date	Description
B.0	12 January 2017	<ul style="list-style-type: none">• Graphics enhanced• Web links updated• Ion OneTouch™ ES Instrument setup clarified• Rebranding
A.0	23 March 2015	New quick reference

Corporate entity: Life Technologies Corporation | Carlsbad, CA 92008 USA | Toll Free in USA 1 800 955 6288

©2017 Thermo Fisher Scientific Inc. All rights reserved. All trademarks are the property of Thermo Fisher Scientific and its subsidiaries unless otherwise specified. Guava is a and easyCyte are trademarks of Guava Technologies, Inc. Eppendorf and Eppendorf LoBind are trademarks of Eppendorf AG. Tween is a trademark of Uniqema Americas LLC. Kimwipes is a trademark of Kimberly-Clark Corporation.